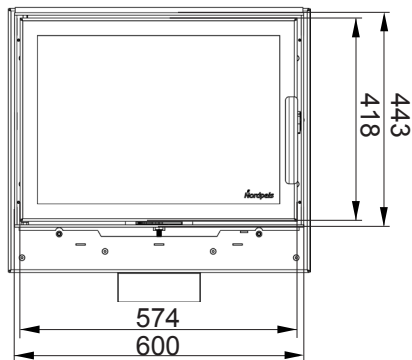
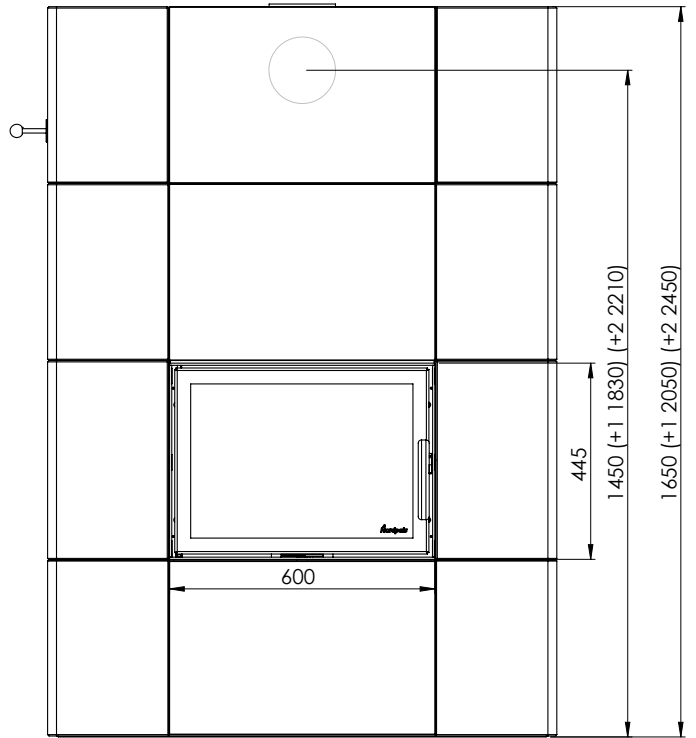
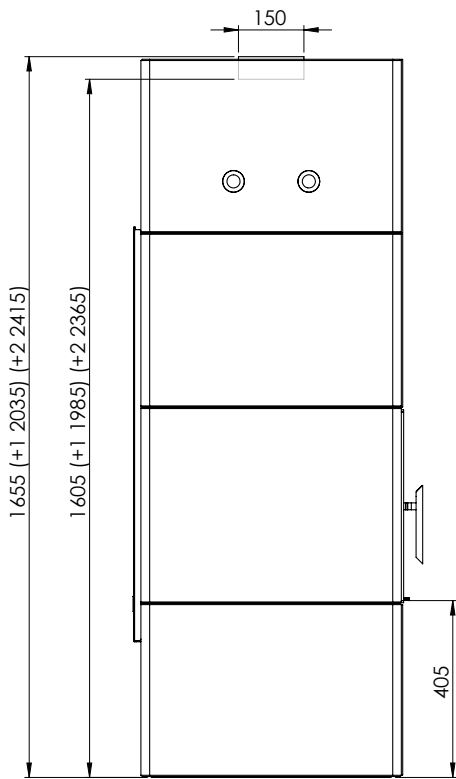
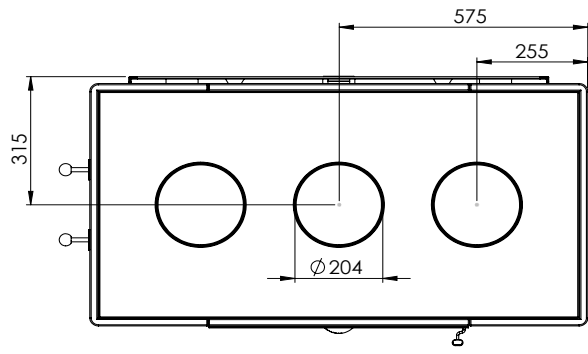
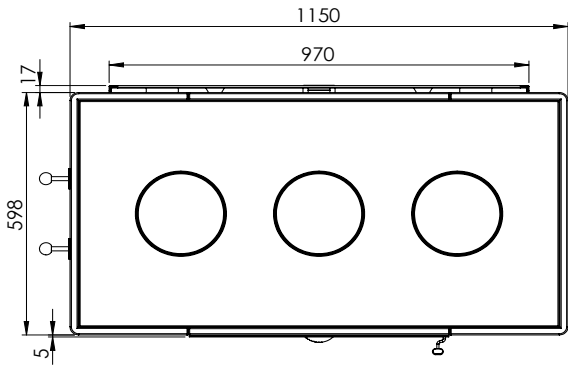


FIG 1

=mm



SALZBURG XL =AIR

