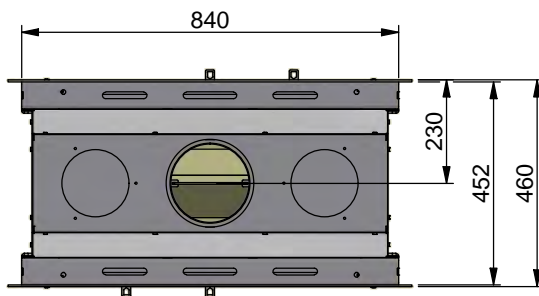
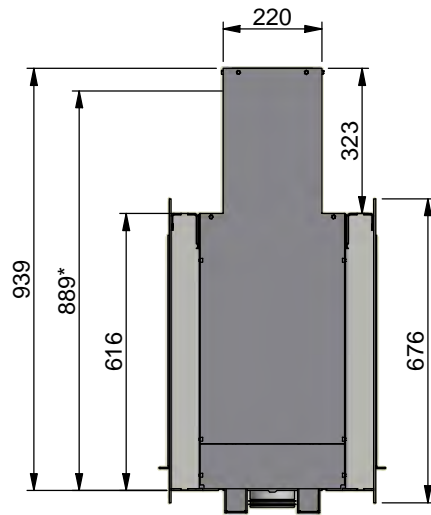
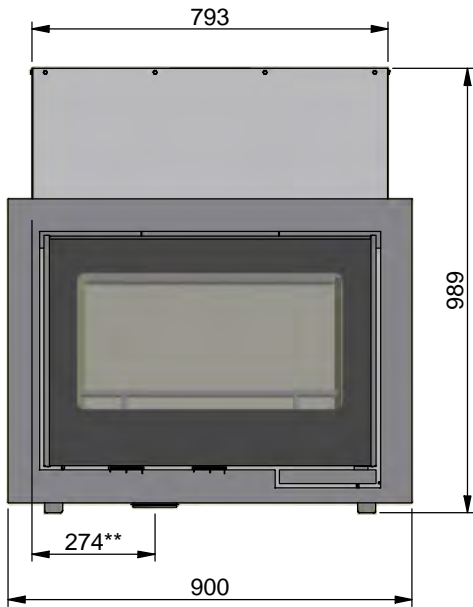


Dimension sketch for Scan DSA 12



* Height to the beginning of the flue pipe at top outlet

** Centre for inlet of external combustion air bottom