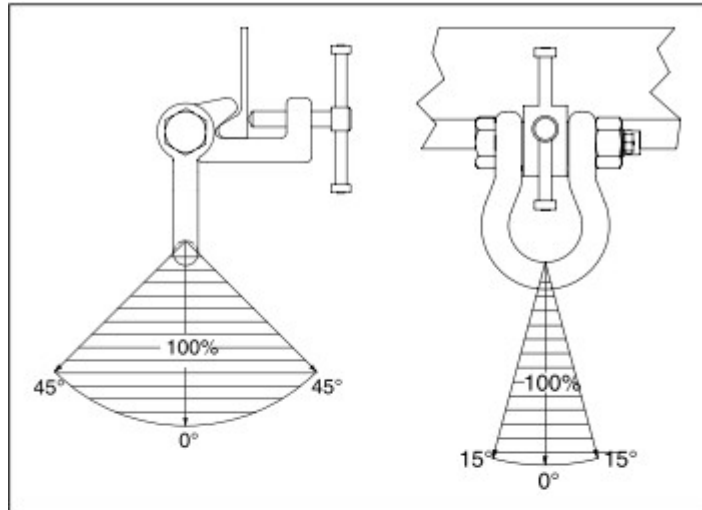
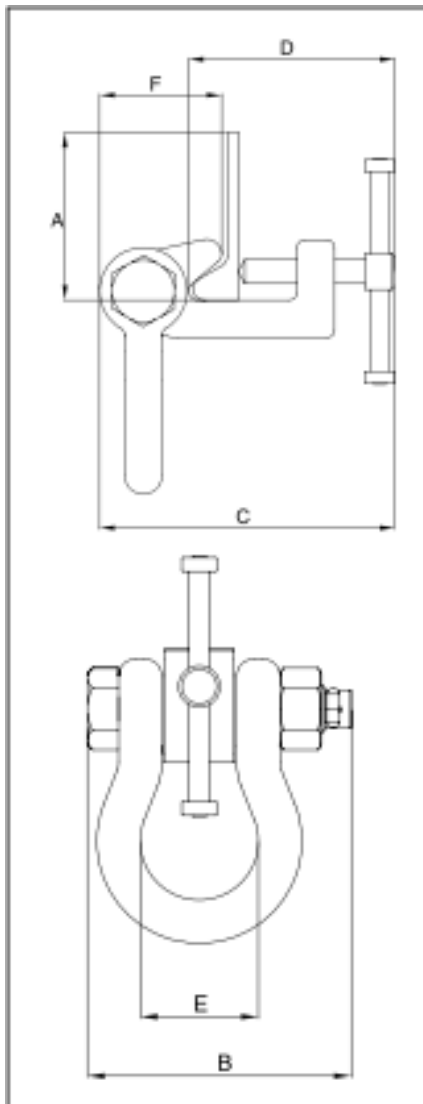


## Šroubová svěrka IPBTO10

### Model IPBTO10

Model	Working Load Limit (t)*	IPBTO10 Stock No.	Weight Each (lbs.)	Dimensions (in.)					
				Jaw A	B	C	D	E	F
IPBTO10	1.5	2700980	9.48	HP 6.25-9.44	5.39	7.4-8.23	5.08-5.91	2.68	3.19
IPBTO10	3	2700986	13.2	HP 9.44-12.56	5.39	7.4-8.54	5.71-6.85	2.68	3.07
IPBTO10	6	2700991	28.7	HP 11.75-17.00	7.28	10.03-11.69	7.68-9.29	3.86	4.02

\* Design Factor based on EN 13155 and ASME B30.20.



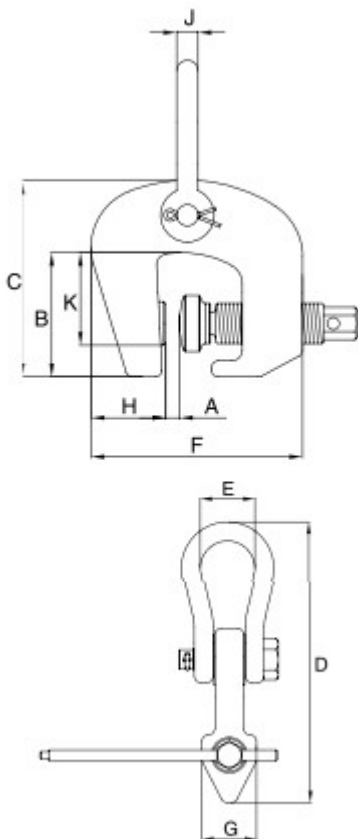
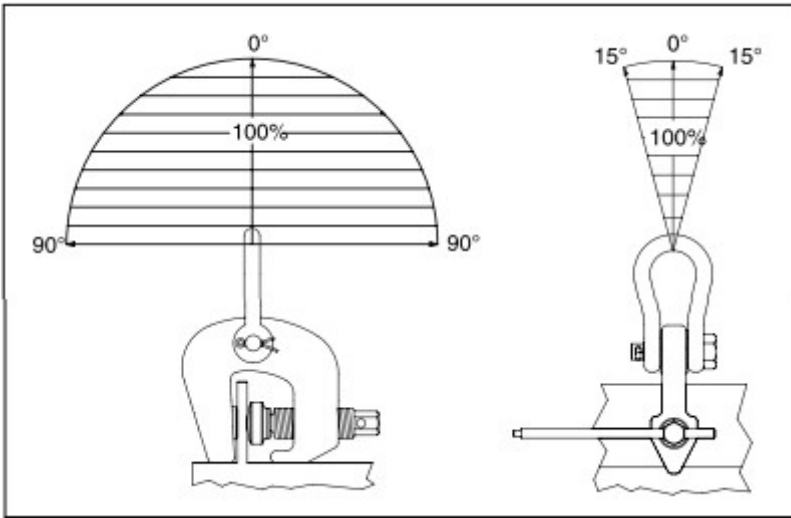
**IPBTO10**



## Šroubová svěrka IPSC

### Model IPSC

Model	Working Load Limit (t)*	IPSC Stock No.	Weight Each (lbs.)	Dimensions (in.)									
				Jaw A	B	C	D	E	F	G	H	J	K
IPSC	1.5	2701640	8.82	0 - 1.25	3.58	5.63	9.02	1.77	6.06	1.81	2.05	.63	2.05
IPSC	3	2701641	13.2	0 - 2.00	4.13	6.50	10.43	1.97	7.48	2.13	2.32	.75	2.36



**IPSC**

